

# SPECIFICATION



## **HB5™ UFO HIGH BAY** (Durable for Projects)



## HB5 UFO High Bay

(Durable for Projects)

- > ADC12 Die-castign Al,Integrally Mold Forging,Excellent Thermal Conductivity;
- > High Brightness LUMILEDS LUXEON SMD3030 2D LEDs, SOSEN/Meanwell HBG/ELG/HLG Round/Rectangle Driver;
- > IP65 / IK08 Protection;
- > 60°/90° (with Pearl or Stripe Lens)/120° (without PC or Toughened Glass Cover) /140° (with Grille Stripe PC Cover) beam angle optional;
- > Corrosive Resistant Powder Coated Finish;
- > D-Mark tested for the use in paper production,wood processing etc with toughened glass;
- > Multiple Installations: Loop Hanging, Ceiling Mounting, Wall Mounting;
- > Various intelligent control: 1-10V, DALI, Motion sensor, Daylight sensor,Zigbee and Emergency;
- > safety chain reserved for labor cost saving and double safety assurance;
- > Customized supported for special projects;



- > ADC12 Die-castign Al,Integrally Mold Forging,Excellent Thermal Conductivity;
- > High Brightness LUMILEDS LUXEON SMD3030 2D LEDs, SOSEN/Meanwell HBG/ELG/HLG Round/Rectangle Driver;
- > IP65 / IK08 Protection;
- > 60°/90° (with Pearl or Stripe Lens)/120° (without PC or Toughened Glass Cover) /140° (with Grille Stripe PC Cover) beam angle optional;
- > Corrosive Resistant Powder Coated Finish;
- > D-Mark tested for the use in paper production,wood processing etc with toughened glass;
- > Multiple Installations: Loop Hanging, Ceiling Mounting, Wall Mounting;
- > Various intelligent control: 1-10V, DALI, Motion sensor,Daylight sensor,Zigbee and Emergency;
- > Safety chain reserved for labor cost saving and double safety assurance;
- > No UV or IR and completely mercury free;
- > L70/B20 @ 70.000h;
- > Customized supported for special projects;

### Options:

- > Driver: Meanwell HBG(Round),ELG/HLG(Retangle),Sosen;
- > Controls and Dimming: 1-10V, DALI, Motion sensor,Daylight sensor,Zigbee and Emergency;
- > Reflector : PC reflector / Al reflector;
- > Lens : 60°/90° (with Pearl or Stripe Lens)/120° (without PC or Toughened Glass Cover) /140° (with Grille Stripe PC Cover);
- > Installation: Loop Hanging, Ceiling Mounting, Wall Mounting;

## Application

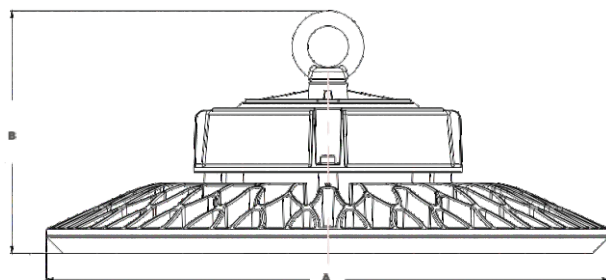
- > Factories / Warehouses / Supermarket
- > Exhibitions / Showrooms / Animal Farm
- > Barns and Riding Halls / Logistic Center
- > High Rooms and Halls / Stadium / Chemical Plant
- > Traditional lamp replacement

# Technical Parameters

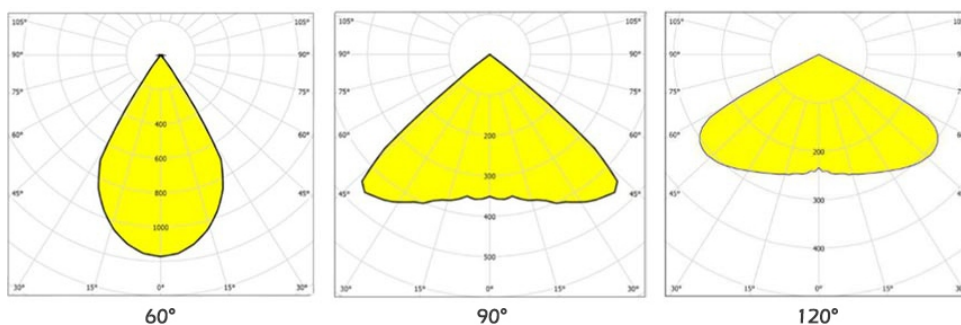
<b>Model No.</b>	DR-HB100-EGXP	DR-HB150-EGXP	DR-HB200-EGXP	DR-HB240-EGXP	DR-HB300-EGXP
<b>System Watts/W</b>	100W	150W	200W	240W	300W
<b>System Efficiency/LPW</b>	135~140LPW				
<b>Lumen Output/lm</b>	14.000±5%	21.000±5%	28.000±5%	33.600±5%	42.000±5%
<b>Rated Input Voltage/V</b>	AC200~240V, 50/60Hz /(AC100~277V, 50/60Hz Optional)				
<b>LEDs Light Source</b>	SMD3030				
<b>SDCM</b>	<5				
<b>CCT/K</b>	5000K for Standard (3000K/4000K/5700K/6500K Optional)				
<b>CRI/Ra</b>	>70Ra (>80Ra for Option)				
<b>Power Factor</b>	>0.95				
<b>THD</b>	<10%				
<b>Beam Angle(Optional)</b>	60°/90°/120°/140°				
<b>UGR</b>	<25				
<b>Surge Protection</b>	3.75~4KV SPD built in Driver, Exterior SPD 20KV Meanwell Optional				
<b>LED Driver</b>	Meanwell HBG/ELG/HLG, Sosen				
<b>IP Rating</b>	IP65				
<b>Dimming(Optional)</b>	0/1-10V/DALI/Zigbee				
<b>Sensor(Optional)</b>	Motion Sensor, Daylight Sensor				
<b>Emergency(Optional)</b>	Available (30W @ 3Hrs for Standard)				
<b>Protection Class</b>	Class I				
<b>Finishing Color(Optional)</b>	Black RAL9017(Standard) / White RAL9016 Optional				
<b>Material</b>	Aluminum+PC				
<b>Lifespan/hrs</b>	70.000 Hrs (Ta=30°C@L70)				
<b>Operation Temp/°C</b>	-40°C to + 50°C (-40°F to 122°F)				
<b>Storage Temp/°C</b>	-40°C to + 65°C (-40°F to 149°F)				
<b>Installation(Optional)</b>	Loop Hanging, Ceiling Mounting, Wall Mounting				
<b>Certificate</b>	CE(EMC+LVD), RoHS, ENEC, D-Mark, SAA, RCM Available				

## Dimensions

Character/Power	100W	150W	200W	240W	300W
<b>A</b>	Ø280mm	Ø338mm	Ø400mm	Ø400mm	Ø440mm
<b>B</b>	164mm	182mm	164mm	172mm	182mm



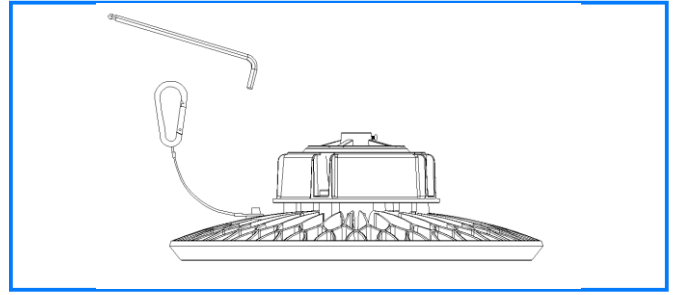
## Photometry Diagram



# Installation

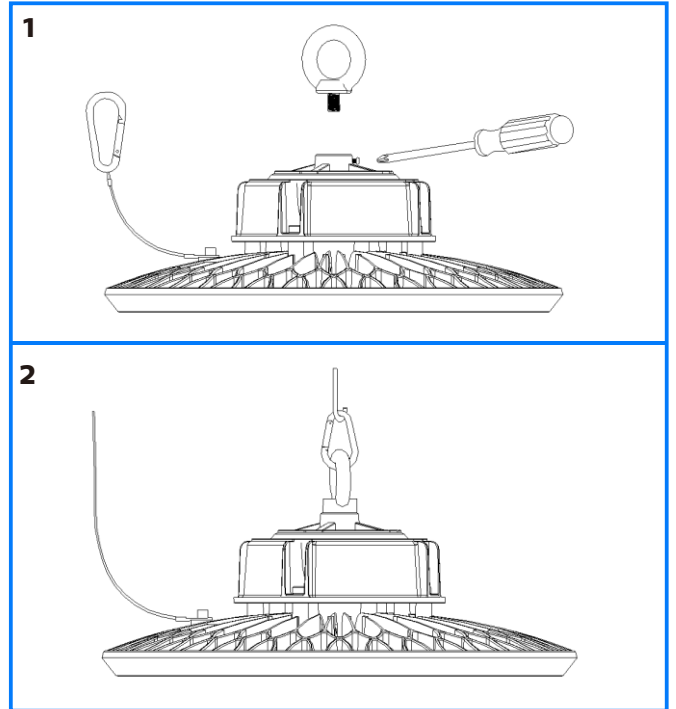
## Preparatory Work

1. Loosen the screw with a screwdriver, righten the ring of the safety chain.
2. Tighten the screw and fix the cable with screwdriver.



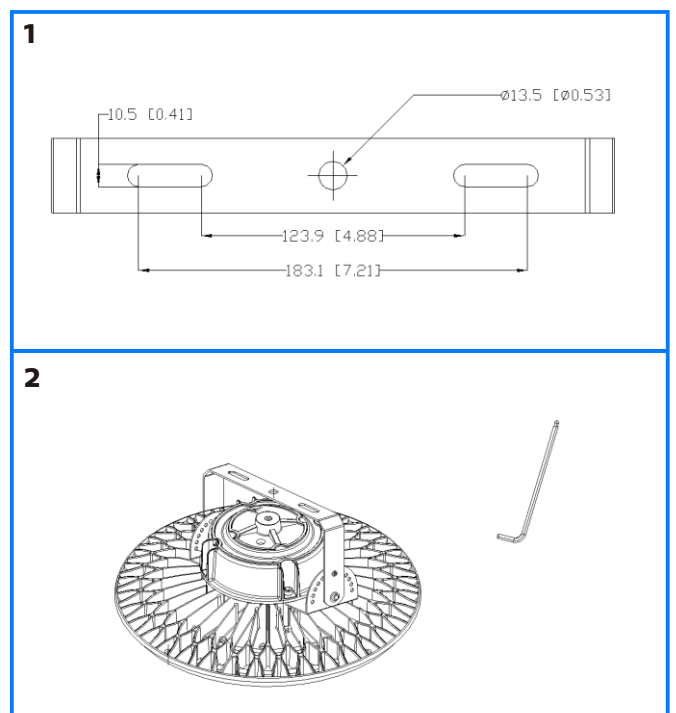
## Loop Hanging

1. Take out the light fixture and match with the hang or chain in the ceiling.
2. Connect the safety chain to a fixed support.
3. Connect the wires according to the wiring diagram.



## Adjustable Surface Mounting

1. Drill 2 holes in the ceiling or wall according to the size of U-bracket.(Figure 1)
2. Tighten the light fixture with expand screws or M10 bolts.
3. Connect the wires according to the wiring diagram.
4. Loosen fixed bolts with screwdriver and adjust the right position.
5. Fastern the fixed bolts.





**INSTALLATION GUIDE**  
**IMPORTANT SAFETY INFORMATION:**

**Please read all the instructions below before installation**

- > Make sure that the supply voltage corresponds to the rated product voltage;
- > The product must be installed by a qualified electrician in accordance with the National Electrical Code and corresponding local codes.
- > If the product is damaged, do not use it!



**Turn Off Power Supply**



## Wiring Diagram



**RISK OF PERSONAL INJURY – READ and follow all WARNINGS and installation instructions.**

Keep or give to the owner for future reference.

**Risk of cuts:** Wear gloves to prevent cuts or abrasions when removing from carton, handling, installing, and maintaining this product.

**Risk of electric shock:** This product must be installed in accordance with the applicable installation code by a person familiar with the construction and operation of the product and the hazards involved.

**Risk of Fire:** Minimum 194°F supply conductors. Consult a qualified electrician to ensure correct branch circuit conductor.

DUALRAYS® assumes no responsibility for claims arising out of improper or careless Installation or handling of this product.

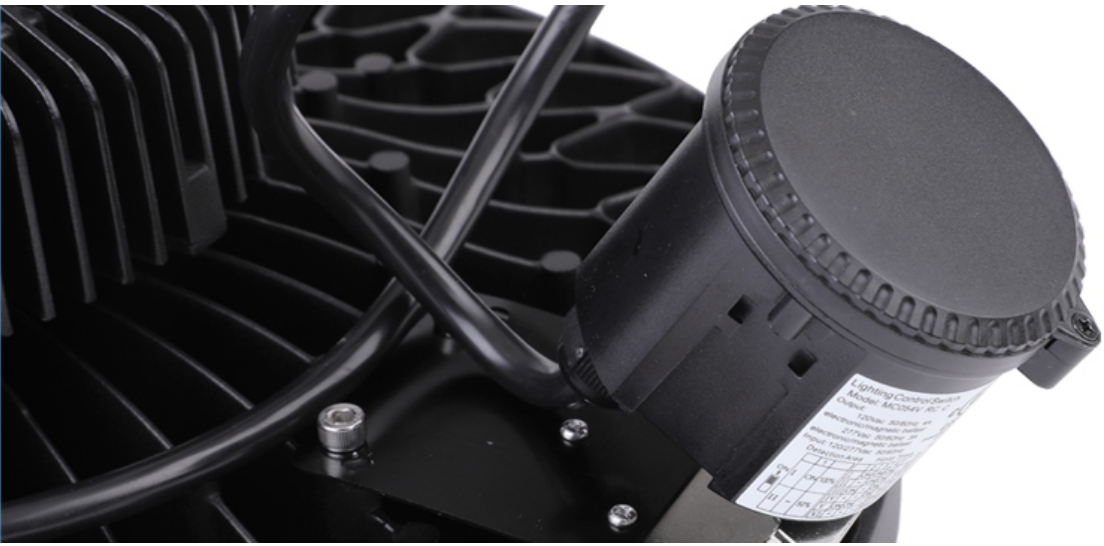
## Packaging Information

Model No.	Net Weight/Kg	Outer Carton Size/mm	Gross Weight/Kg	QTY"/CTN
DR-HB100-EGXP	4.2	355*350*165	4.9	1PCS
DR-HB150-EGXP	4.6	415*410*175	5.4	1PCS
DR-HB200-EGXP	4.8	475*470*195	5.6	1PCS
DR-HB200-EGXP	6.9	475*470*195	7.8	1PCS
DR-HB200-EGXP	7.5	500*495*195	8.8	1PCS

## Details Demo



Microwave Sensor  
for Option>>>



Zigbee Wireless  
Smart Control>>>



KNX Protocol  
Device with KNX  
Bus (2/4/8/12  
Channel for Op-  
tion)>>>



## Application Reference

